

Section One-A

*Industrial Tank Style
Coolant Heaters*

Hazardous Location



Industrial Tank Heaters

1500 - 5000 watt
Hazardous Location
Single Phase



EE Model without thermostat.



EE Model assembled with thermostat.

Ambient Above -20° F	Ambient Below -20° F	Model Number without Thermostat	Fig.* No.	Model Number with Thermostat (see chart 1)	Fig.* No.	Volt	Ø	Watt	Amp
500 Cubic Inch or Less	300 Cubic Inch or Less	EE115100-000	1	EE1151XX-000	2	120	1	1500	12.5
		EE115800-000	1	EE1158XX-000	2	208	1	1500	7.2
		EE115200-000	1	EE1152XX-000	2	240	1	1500	6.3
		EE115700-000	1	EE1157XX-000	2	277	1	1500	5.4
		EE115300-000	1	EE1153XX-000	2	380	1	1500	3.9
		EE115400-000	1	EE1154XX-000	2	480	1	1500	3.1
		EE115500-000	1	EE1155XX-000	2	575	1	1500	2.6
500 - 600 Cubic Inch or Less	300 - 400 Cubic Inch or Less	EE120100-000	1	EE1201XX-000	2	120	1	2000	16.7
		EE120800-000	1	EE1208XX-000	2	208	1	2000	9.6
		EE120200-000	1	EE1202XX-000	2	240	1	2000	8.3
		EE120300-000	1	EE1203XX-000	2	380	1	2000	5.3
		EE120400-000	1	EE1204XX-000	2	480	1	2000	4.2
		EE120500-000	1	EE1205XX-000	2	575	1	2000	3.5
600 - 800 Cubic Inch or Less	400 - 500 Cubic Inch or Less	EE125100-000	1	EE1251XX-000	2	120	1	2500	20.8
		EE125800-000	1	EE1258XX-000	2	208	1	2500	12.0
		EE125200-000	1	EE1252XX-000	2	240	1	2500	10.4
		EE125700-000	1	EE1257XX-000	2	277	1	2500	9.2
		EE125300-000	1	EE1253XX-000	2	380	1	2500	6.6
		EE125400-000	1	EE1254XX-000	2	480	1	2500	5.2
		EE125500-000	1	EE1255XX-000	2	575	1	2500	4.3
800 - 1000 Cubic Inch or Less	500 - 600 Cubic Inch or Less	EE130100-000	1	EE1301XX-000	2	120	1	3000	25.0
		EE130800-000	1	EE1308XX-000	2	208	1	3000	14.4
		EE130200-000	1	EE1302XX-000	2	240	1	3000	12.5
		EE130700-000	1	EE1307XX-000	2	277	1	3000	10.8
		EE130300-000	1	EE1303XX-000	2	380	1	3000	7.9
		EE130400-000	1	EE1304XX-000	2	480	1	3000	6.3
		EE130500-000	1	EE1305XX-000	2	575	1	3000	5.2
1000 - 1350 Cubic Inch or Less	600 - 800 Cubic Inch or Less	EE140800-000	1	EE1408XX-000	2	208	1	4000	19.2
		EE140200-000	1	EE1402XX-000	2	240	1	4000	16.7
		EE140700-000	1	EE1407XX-000	2	277	1	4000	14.4
		EE140300-000	1	EE1403XX-000	2	380	1	4000	10.5
		EE140400-000	1	EE1404XX-000	2	480	1	4000	8.3
		EE140500-000	1	EE1405XX-000	2	575	1	4000	7.0
1350 - 1650 Cubic Inch or Less	800 - 1000 Cubic Inch or Less	EE150800-000	1	EE1508XX-000	2	208	1	5000	24.0
		EE150200-000	1	EE1502XX-000	2	240	1	5000	20.8
		EE150700-000	1	EE1507XX-000	2	277	1	5000	18.1
		EE150300-000	1	EE1503XX-000	2	380	1	5000	13.2
		EE150400-000	1	EE1504XX-000	2	480	1	5000	10.4
		EE150500-000	1	EE1505XX-000	2	575	1	5000	8.7

*Figure Number refers to technical drawings of heaters located on page 18.

INSTALLATION TIPS	
For the use of 3/4" or 1" ID heater hose, hose barb adapters are available. See below.	
Part Number	Description
HB-1	1" NPT to 1" hose barb adapter. Installs in 1" NPT female inlet or outlet of the heater.
HB-3/4	1" NPT to 3/4" hose barb adapter. Installs in 1" NPT female inlet or outlet of the heater.

CHART 1			
HEATERS WITH THERMOSTATS			
To specify temperature range of thermostat, insert numerical code from chart in place of the XX in model number.			
Example:			
Desired Temperature Range 100° - 120°F			
Catalog Number: Model EE1151XX-000			
Order as: Model EE115110-000			
All heaters over 277v and all 3Ø units must use a control box See Control Systems page 32	TEMPERATURE RANGE		NUMERICAL CODE
	ON	OFF	
	60F	80F	06
	80F	100F	08
	100F	120F	10
120F	140F	12	
140F	160F	14	

Industrial Tank Heaters

*1500 - 5000 watt
Hazardous Location
Three Phase*



EE Model without thermostat.



EE Model assembled with thermostat.

Ambient Above -20° F	Ambient Below -20° F	Model Number without Thermostat	Fig.* No.	Model Number with Thermostat (see chart 1)	Fig.* No.	Volt	Ø	Watt	Amp
500 Cubic Inch or Less	300 Cubic Inch or Less	EE315800-000	1	EE3158XX-000	2	208	3	1500	4.2
		EE315200-000	1	EE3152XX-000	2	240	3	1500	3.6
		EE315400-000	1	EE3154XX-000	2	480	3	1500	1.8
500 - 600 Cubic Inch or Less	300 - 400 Cubic Inch or Less	EE320800-000	1	EE3208XX-000	2	208	3	2000	5.6
		EE320200-000	1	EE3202XX-000	2	240	3	2000	4.8
		EE320300-000	1	EE3203XX-000	2	380	3	2000	3.0
		EE320400-000	1	EE3204XX-000	2	480	3	2000	2.4
		EE320500-000	1	EE3205XX-000	2	575	3	2000	2.0
600 - 800 Cubic Inch or Less	400 - 500 Cubic Inch or Less	EE325800-000	1	EE3258XX-000	2	208	3	2500	6.9
		EE325200-000	1	EE3252XX-000	2	240	3	2500	6.0
		EE325300-000	1	EE3253XX-000	2	380	3	2500	3.8
		EE325400-000	1	EE3254XX-000	2	480	3	2500	3.0
		EE325500-000	1	EE3255XX-000	2	575	3	2500	2.5
800 - 1000 Cubic Inch or Less	500 - 600 Cubic Inch or Less	EE330800-000	1	EE3308XX-000	2	208	3	3000	8.3
		EE330200-000	1	EE3302XX-000	2	240	3	3000	7.2
		EE330300-000	1	EE3303XX-000	2	380	3	3000	4.6
		EE330400-000	1	EE3304XX-000	2	480	3	3000	3.6
		EE330500-000	1	EE3305XX-000	2	575	3	3000	3.0
1000 - 1350 Cubic Inch or Less	600 - 800 Cubic Inch or Less	EE340800-000	1	EE3408XX-000	2	208	3	4000	11.1
		EE340200-000	1	EE3402XX-000	2	240	3	4000	9.6
		EE340300-000	1	EE3403XX-000	2	380	3	4000	6.1
		EE340400-000	1	EE3404XX-000	2	480	3	4000	4.8
		EE340500-000	1	EE3405XX-000	2	575	3	4000	4.0
1350 - 1650 Cubic Inch or Less	800 - 1000 Cubic Inch or Less	EE350800-000	1	EE3508XX-000	2	208	3	5000	13.9
		EE350200-000	1	EE3502XX-000	2	240	3	5000	12.0
		EE350300-000	1	EE3503XX-000	2	380	3	5000	7.6
		EE350400-000	1	EE3504XX-000	2	480	3	5000	6.0
		EE350500-000	1	EE3505XX-000	2	575	3	5000	5.0

*Figure Number refers to technical drawings of heaters located on page 18.

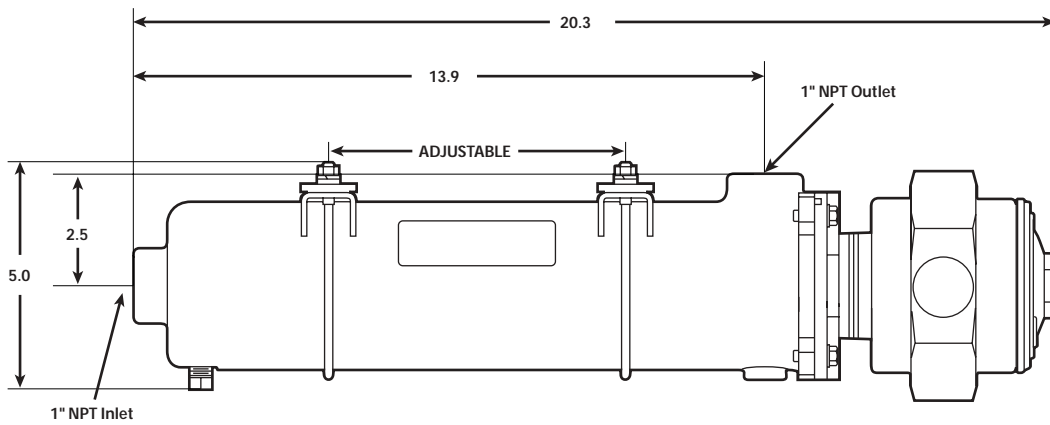
INSTALLATION TIPS	
For the use of 3/4" or 1" ID heater hose, hose barb adapters are available. See below.	
Part Number	Description
HB-1	1" NPT to 1" hose barb adapter. Installs in 1" NPT female inlet or outlet of the heater.
HB-3/4	1" NPT to 3/4" hose barb adapter. Installs in 1" NPT female inlet or outlet of the heater.

CHART 1			
HEATERS WITH THERMOSTATS			
To specify temperature range of thermostat, insert numerical code from chart in place of the XX in model number.			
Example:			
Desired Temperature Range 100° - 120°F			
Catalog Number: Model EE3152XX-000			
Order as: Model EE315210-000			
All heaters over 277v and all 3Ø units must use a control box See Control Systems page 32	TEMPERATURE RANGE		NUMERICAL CODE
	ON	OFF	
	60F	80F	06
	80F	100F	08
	100F	120F	10
120F	140F	12	
140F	160F	14	

Technical Drawings

all dimensions in inches

FIGURE 1



EE Style Heater without thermostat (pg. 16 and 17)

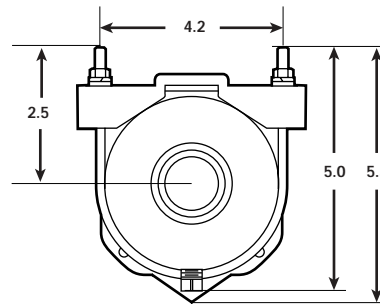
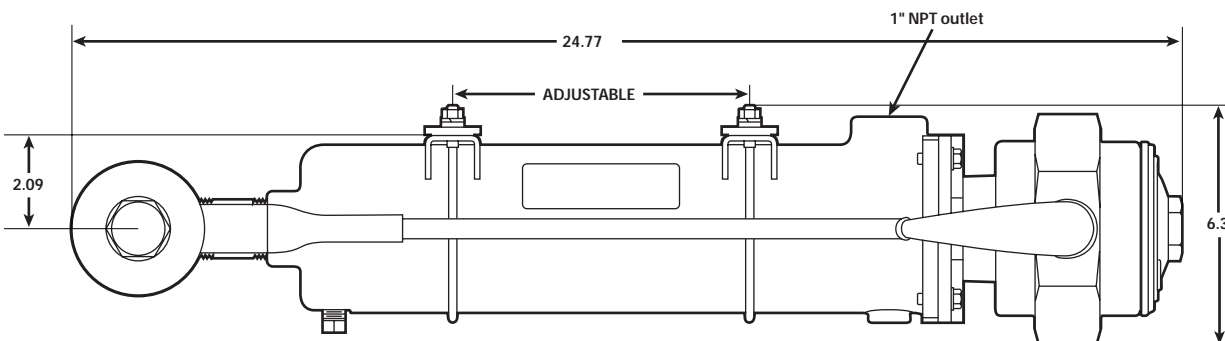


FIGURE 2



EE Style Heater with thermostat (pg. 16 and 17)

