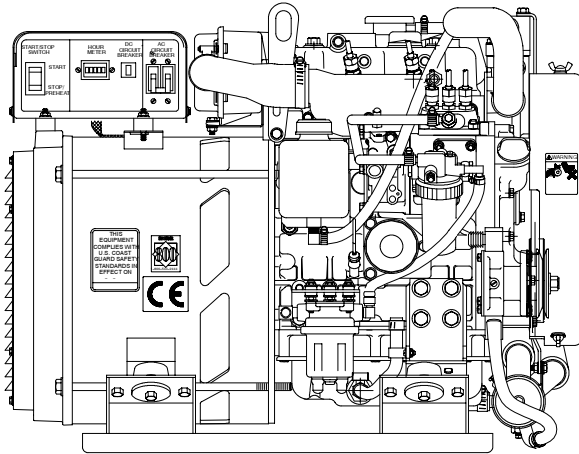


Model: 8EOZ 60 Hz
6.5EFOZ 50 Hz

KOHLER POWER SYSTEMS

1-Phase Diesel

ISO 9001
KOHLER
POWER SYSTEMS
 NATIONALLY REGISTERED



Marine Generator Set

Engine Features

- Diesel power
- Three cylinder
- Four cycle
- Closed cooling system
- Heat exchanger
- Lifting eyes
- Fuel lift pump

Generator Features

- Remote start connection availability
- Class F insulation
- Multivoltage adjustability
- 60/50 Hz capability
- Voltage regulation of $\pm 2\%$
- Frequency regulation of $\pm 5\%$
- Radio suppression

Optional Accessories

- Remote start and meter panel kit
- Seawater strainer
- Siphon break
- Sound shield

Generator Weights and Dimensions

	Without Sound Shield	With Sound Shield
Weight, kg (lb.)		
Wet	212 (467)	266 (586)
Dry	207 (457)	261 (576)
Length, mm (in.)	759 (29.87)	889 (35.00)
Width, mm (in.)	463 (18.23)	565 (22.25)
Height, mm (in.)	585 (23.03)	610 (24.00)

See the drawings on the last page for detailed dimensions.

Generator Ratings

Model Series	Voltage	Hz	25° C (77° F)	25° C (77° F)	Ph
			Amps	kW/kVA	
8EOZ	100	60	80.0	8.0/8.0	1
	100/200	60	80.0/40.0	8.0/8.0	1
	120	60	66.7	8.0/8.0	1
	120/240	60	66.7/33.3	8.0/8.0	1
6.5EFOZ	100	50	65.0	6.5/6.5	1
	100/200	50	65.0/32.5	6.5/6.5	1
	110	50	59.1	6.5/6.5	1
	110/220	50	59.1/29.6	6.5/6.5	1
	220	50	29.6	6.5/6.5	1
	240	50	24.2	5.8/5.8	1

RATINGS: Marine continuous ratings per ISO 3046, ISO 8528-1, and Kohler ISO rating guideline 2.14. Obtain technical information bulletin (TIB-101) on ratings guidelines for complete ratings definitions.

Availability is subject to change without notice. Kohler Co. reserves the right to change the design or specifications without notice and without any obligation or liability whatsoever. Contact your local Kohler generator distributor for availability.

Application Data

Engine

Engine Specifications	60 Hz	50 Hz
Manufacturer	Yanmar	
Model	3TNE74	
Type	4 cycle	
Cylinder, quantity	3	
Displacement, L (cu. in.)	1.01 (61.39)	
Bore and stroke, mm (in.)	74 x 78 (2.91 x 3.07)	
Compression ratio	23:1	
Combustion system	Special swirl pre-combustion chamber	
Rated rpm	1800	1500
Max. power at rated rpm, HP	14.0	11.6
Cylinder block material	Cast iron	
Cylinder head material	Cast iron	
Piston rings: quantity, type	2 compression/1 oil	
Crankshaft material	Stamped forging	
Connecting rod material	Forged carbon steel	
Governor, type	Centrifugal, mechanical	

Engine Electrical

Engine Electrical System	60 Hz	50 Hz
Battery, voltage	12 volt	
Battery, charging	40-amp alternator	
Battery, minimum recommendation	500 CCA, 100 amp hr.	
Starter motor	0.8 kW Bendix-automotive type	

Cooling

Cooling System	60 Hz	50 Hz
Capacity, L (qt.), approx.	3.9 (4.12)	
Heat exchanger type	2.5 in. dia. x 3 pass cupronickel	
Seawater pump type	Belt-driven, 10-blade impeller	
Heat rejected to cooling water at rated kW, wet exhaust, kW (Btu/min.)	9.6 (544)	7.9 (451)
Engine water pump flow, Lpm (gpm)	28.8 (7.6)	24.2 (6.4)
Seawater pump flow, Lpm (gpm)	22.7 (6.0)	18.9 (5.0)

Fuel

Fuel System	60 Hz	50 Hz
Fuel shutoff solenoid	Electric	
Fuel pump	Electric, rotary vane	
Fuel pump priming	Electric	
Maximum recommended fuel lift, m (ft.)	1.2 (4.0)	

Lubrication

Lubricating System	60 Hz	50 Hz
Oil pan capacity with filter, L (qt.)	2.3 (2.4)	
Type	Pressure, trochoid pump	

Operation Requirements

Air Requirements	60 Hz	50 Hz
Engine combustion air requirements, L/min. (cfm)	765 (27)	651 (23)
Engine/generator cooling requirements, L/min. (cfm)	5097 (180)	4247 (150)
Fuel Consumption	60 Hz	50 Hz
Diesel, Lph (gph) at % load		
100%	3.3 (0.86)	2.5 (0.67)
75%	2.5 (0.65)	1.9 (0.51)
50%	1.8 (0.47)	1.5 (0.39)
25%	1.3 (0.35)	1.1 (0.28)

Note: The fuel consumption of the 60 Hz model is based on 8EOZ, and the fuel consumption of the 50 Hz model is based on 6.5EFOZ.

Engine Features

- One-side serviceability of fuel system, lubrication system, seawater pump, and air cleaner
- Low oil pressure cutout
- High water and high exhaust temperature cutouts
- Focused vibromounts
- Belt guard
- Disposable oil filter
- Oil drain valve and hose
- Full flow cooling system (thermostat bypass)
- Glow plug circuit for cold starting (optional)

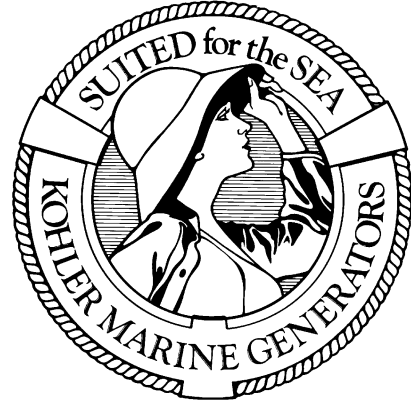
Controller Features

- Rubber-mounted to isolate vibration
- Safety shutdowns:
 - Engine overheat
 - Low oil pressure
- External 6-pin connector for remote panel harness
- Hourmeter for scheduling maintenance
- Start/stop switch
- Starter interlock to prevent reengagement of starter whenever engine is running
- Plug/receptacle controller connections
- Terminal connections:
 - Clearly identified
 - Corrosion resistant
 - Possibility of misconnection eliminated
- Quick disconnect equipped on 22-pin wiring harness
- Voltage/frequency adjustable PowerBoost™ voltage regulator

Application Data

Generator Features

- Brushless, rotating field design permits power to be obtained from stationary leads.
- Rotor and stator are vacuum impregnated and coated with high-bond epoxy varnish. Varnish helps prevent corrosion in high-humidity areas.
- Rotors are dynamically balanced to minimize vibration.
- Copper windings ensure minimal heat buildup. Insulation meets NEMA standards for class F insulation.
- Direct connected to the engine, the generator has sealed precision ball bearings with a precision-machined steel sleeve in the end bracket to prevent shaft misalignment and extend bearing life.
- The generator is mounted on a dripproof tray.
- The generator is equipped with a four-lead reconnectable stator.



Accessories

Sound Shield

Provides for highly effective silencing, ease of access for engine/generator servicing, low maintenance, excellent durability, and safety.

Siphon Break

Mandatory kit on generators installed below the waterline. Prevents the siphoning of flotation water into the engine.

Line Circuit Breakers

Protect the generator from extreme overload.

Preheat Kit

Provides improved starting in cold climates.

Seawater Strainer

Equipped with a clear viewing jar allowing for easy cleaning and maintenance of the strainer for a more efficient and longer-lived generator.

Ship-to-Shore Switch

Allows immediate switching to Kohler® generator set power or shore power protecting the electrical system from the possibility of simultaneous connection of both power sources. Available as a three-pole ship-to-shore switch.

Remote Start Panel

Allows starting/stopping from a location remote from the generator set. Supplied with a 101 mm (4 in.) connection harness. Overall mounting dimensions are 128 mm (5.04 in.) by 70 mm (2.76 in.) with a minimum mounting depth of 57 mm (2 1/4 in.).

Coolant Overflow Extension Hose

Allows remote mount of a coolant overflow bottle (10.8 ft.).

Remote Start and Two-Meter Panel Kit

Allows starting/stopping from a location remote from the generator set. The illuminated gauges include an engine oil pressure gauge and a water temperature gauge. Overall dimensions are 152 mm (6 in.) by 152 mm (6 in.) with a minimum mounting depth of 70 mm (2 3/4 in.). Requires remote connection/extension harness and sender kit.

Remote Start and Four-Meter Panel Kit

Allows starting/stopping from a location remote from the generator set. The illuminated meters/gauges include a DC voltmeter, engine oil pressure gauge, water temperature gauge, and an hourmeter that records total generator set operating hours. Overall dimensions are 229 mm (9 in.) by 152 mm (6 in.) with a minimum mounting depth of 102 mm (4 in.). Requires remote connection/extension harness and sender kit.

Sender Kit

Provides senders necessary to make remote meter panel gauges functional.

Remote Connection/Extension Harness

Provides additional wiring between all remote panels and the controller connector. One required for each remote start and meter panel kit. Extension limited to a total of four kits and 23 m (75 ft.). Available in 4.6 m (15 ft.) and 7.6 m (25 ft.) lengths.

12-Inch Remote Wiring Harness

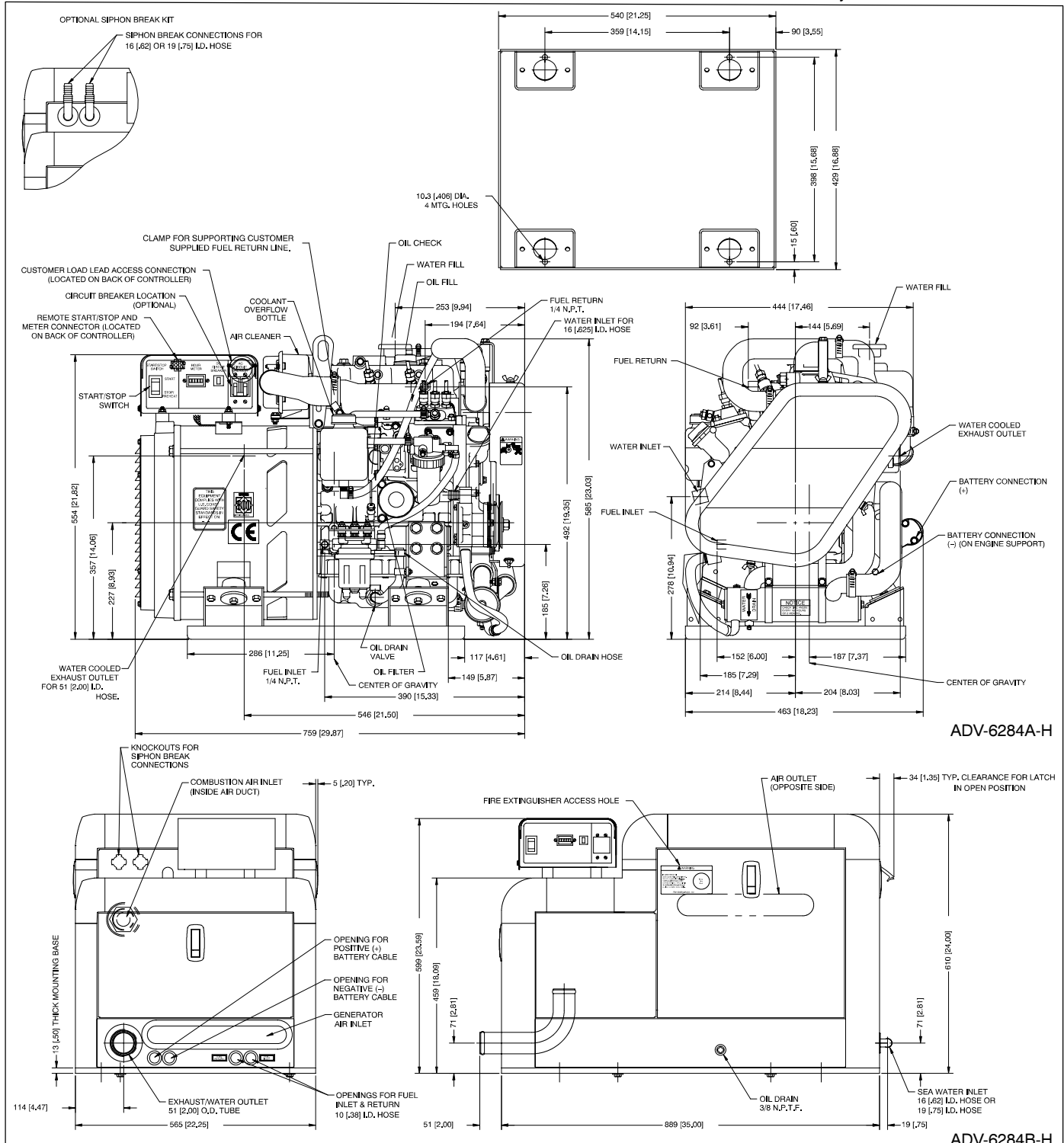
Equipped with a 6-pin connector on one end that is keyed to a controller box connector. Equipped on the other end with pigtailed for connection to a customer-supplied start switch, generator ON light, hourmeter, etc.

Fuel Attachment Block

Allows connection to the fuel inlet and return from one point.

KOHLER[®] POWER SYSTEMS

KOHLER CO., Kohler, Wisconsin 53044 USA
 Phone 920-565-3381, Fax 920-459-1646
 For the nearest sales and service outlet in the
 US and Canada, phone 1-800-544-2444
 KohlerPowerSystems.com



ADV-6284A-H

ADV-6284B-H

DISTRIBUTED BY:

NOTE: Dimensions in [] are inch equivalents.

NOTE: This drawing is provided for reference only and is not intended for installation planning. Contact your local distributor for more detailed information.

© 1997-2002 by Kohler Co. All rights reserved.